

Clearway™

RICON
INNOVATION IN MOBILITY™



- Clear access to the vehicle's interior
- Smooth and stable operation even with heavier wheelchairs or scooters
- Non-skid platform
- Easy to maintain
- Built-in manual backup system
- Automatic inboard and outboard rollstops
- Convenient handrails for user comfort and security
- All-steel frame
- Limited 5-year warranty

The Most Reliable Personal Platform Lift



Clearway™

Clearway™ Advantages:

- **Split-platform offers complete door access**

The Clearway™ lift uses the proven technology of the 5-Series and adds a unique, split platform design. This combination provides reliable and dependable operation with complete access through the doorway, enhancing everyone's accessibility.

- **Safety systems protect you during operation**

The Clearway™ lift from Ricon features a stable platform big enough to accommodate most wheelchairs and scooters. This platform offers non-skid covering along with inboard and outboard rollstops to make sure your wheelchair stays put while the lift is in operation.

- **Durable design for long lift life**

The Clearway™'s efficiently designed electrical system and powerful hydraulic power pack provide years of trouble-free operation. All major

pivot points have pre-lubricated bearings, and the Clearway™ has a high-gloss, polyester powder coat to resist corrosion, so that you get the longest lift life possible.

- **Easy-to-use, built-in manual backup system**

- **5-year Limited Warranty**



US Patent Nos. 6,203,266 B1, 6,173,737 B1, 6,042,327, 5,944,473, 5,905,425, 5,445,488 / Canadian Patent Nos. 2,198,765, 1,343,603 / UK Patent No. 0,758,888

Clearway Specifications:

Power Source	Electro-Hydraulic Motor
Rated Load Capacity	800 lbs. / 363 kg
Manual Backup - Up	Manual Hand Pump
Manual Backup - Down	Manual Release Valve
Weight	Approx. 300-325 lbs. / 136-147 kg

For the Ricon Dealer nearest you, call (800) 322-2884 or visit our website: www.riconcorp.com.

Ricon Corporation reserves the right to discontinue models or options at any time or change specifications, materials, equipment, or pricing without notice and without incurring obligation.

03P9923-3040410R

RICON CORPORATION

7900 Nelson Road • Panorama City, CA 91402
Phone: (818) 267-3000 • Fax: (818) 267-3001
sales@riconcorp.com • www.riconcorp.com

RICON CORP.

is an ISO

Compliance

Company

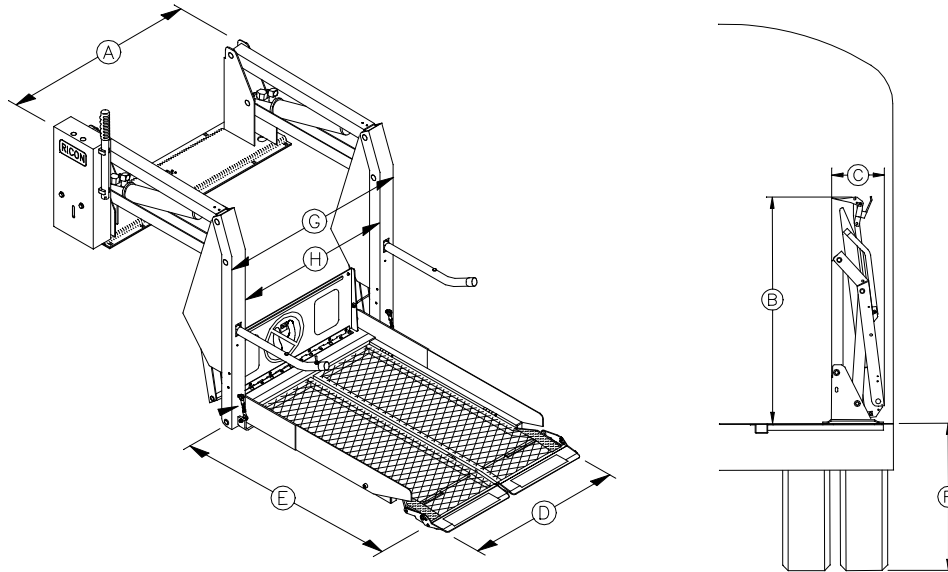
RICON

WWW.RICONCORP.COM

S-SERIES PERSONAL USE (CLEARWAY) WHEELCHAIR LIFT

Power electro-hydraulic (power-up/gravity-down)
 Pump rating@12 VDC.....65A avg/cycle, 8,619 kPa
 Pump rating@24 VDC.....32.5A avg/cycle, 8,619 kPa
 Hydraulic cylinders2ea, 38mm dia

Rated load capacity 364 kgs
 Manual backup (up)hand pump
 Manual backup (down)..... pressure release valve
 Lift Weight 141—173 kgs



DIMENSIONS mm

	A	B	C	D	E	F	G	H
MODEL	Stationary frame width	Height (folded)	Installation depth (folded)	Usable platform width	Usable platform length	Floor-to-ground travel	Traveling frame width	Clear entry width
S1132-P	1041	1029	495	660	965	686	851	686
S1133-P	1143	1029	546	762	965	686	953	787
S1230-P	1143	1283	546	762	1219	787	953	787
S1231-P	1143	1131	546	762	1067	787	953	787